

Installation Instructions

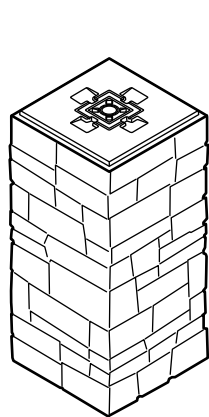
BellaStone Architectural Columns



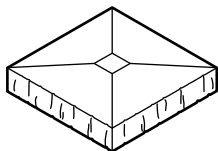
ARCHITECTURAL COLUMNS

BellaStone Architectural Columns by Crane have the look of genuine hand-chiseled natural stone columns. They look and feel like real stone because they are made with real stone. BellaStone Architectural Columns are remarkably versatile with a wide variety of size and style options sure to suite your project needs.

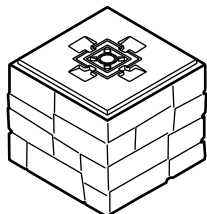
Components



38" Column
available in *Tuscan*
or *Torino* colors
(Dim: 20" x 20" x 38")



Cap-Traditional
available in *Keystone* and
Cobblestone colors



16" Column
available in *Tuscan*
or *Torino* colors
(Dim: 20" x 20" x 16")

Tools and Supplies

You will need the following tools to install BellaStone Columns.

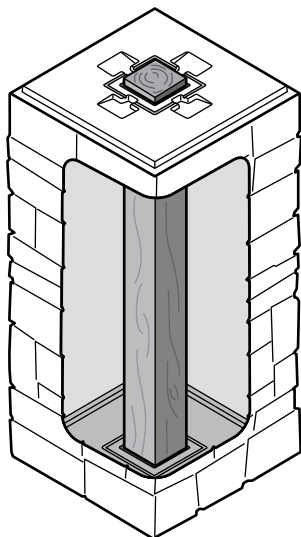
- Rotary cutting tool
- Drill
- Circular saw
- 3/16" drill bit

You will also need the following supplies.

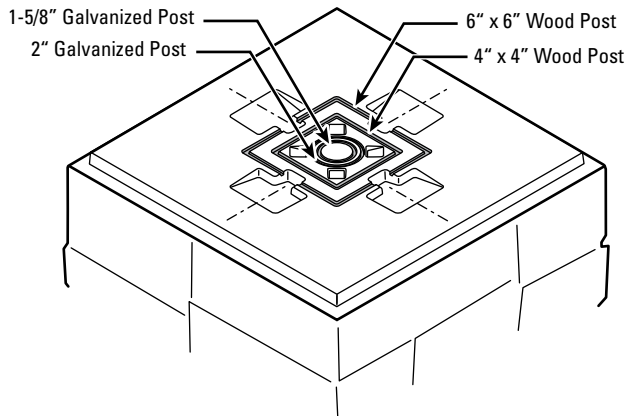
- #8 by 1-1/2" exterior screws
- #8 by 2-1/2" exterior screws
- BellaStone Mortar Sealant *
- BellaStone Aggregate * (included with column)
- Disposable paint brush *

* required only if stacking columns

Preparing Column



The BellaStone Architectural Column is not a structural element, but rather is designed to enhance the look of structural posts. The column is designed to fit over common wood and metal post sizes.



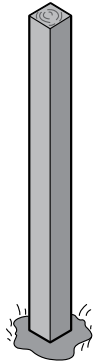
The BellaStone Architectural Column comes with pre-molded cutouts to accommodate the following posts:

- 6" x 6" Wood Post
- 4" x 4" Wood Post
- 2" Galvanized Pole
- 1-5/8" Galvanized Pole

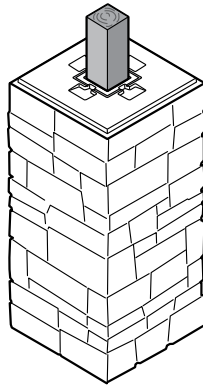
Remove the appropriate cutout on the top and bottom of the column using a rotary tool or jigsaw.

Installing Columns

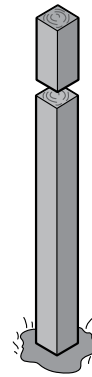
! Consult all applicable building codes before installing posts or columns.



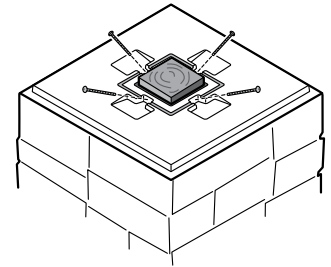
- 1 Make sure post is securely installed, and is plumb. Post should be at least a few inches taller than the column that you are installing.



- 2 After removing the appropriate cutouts, position column over post. Make a mark on the post 1/2" taller than the top of the column. Remove the column.



- 3 Trim the post to the height marked in the previous step. Re-position the column over the post.



- 4 Secure the column with #8 x 2-1/2" screws through the provided recesses and into the post. If you are using a metal post, you will need to pre-drill the post before driving the appropriate screws.

Fencing Application

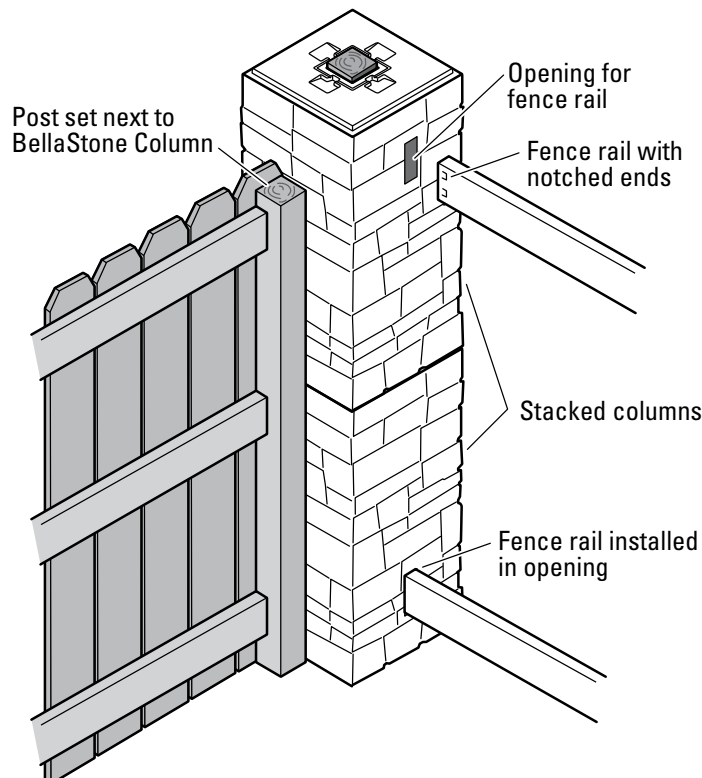
BellaStone Architectural Columns can be used with most fencing products. Use the general instructions below for using the BellaStone Column as a fence post. Be sure to consult the instructions for the fencing system you are using for more information. There are several ways to incorporate BellaStone Columns into your fencing installation, two options are shown below.

Installing wood fencing products

- Install your posts and columns as outlined in the previous section. Columns can be stacked to achieve a variety of heights.

NOTE: When installed, the caps cover the top 2" of the column. Take this into account when determining column heights.

- Install a second post next to the BellaStone Column.
- Using the second post as an attachment point, install fencing as outlined in the manufacturer's instructions.



Installing vinyl fencing products

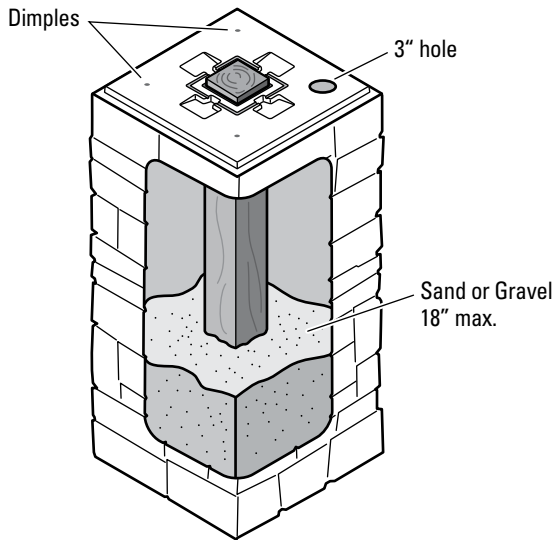
- Install your posts and columns as outlined in the previous section. Columns can be stacked to achieve a variety of heights.

NOTE: When installed, the caps cover the top 2" of the column. Take this into account when determining column heights.

- Mark the location of the fence rails on the column.
- Cut an opening in the column just large enough for the rail to fit into. (a rotary tool will make the best cut)
- Install fencing as outlined in the manufacturer's instructions.

Filling Column

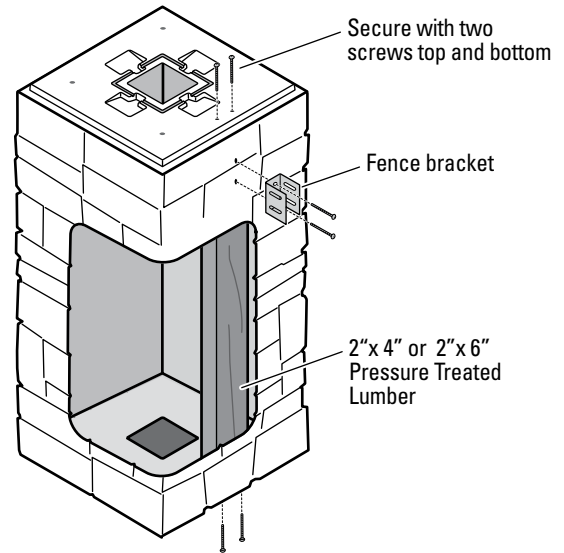
In some installations you may want to add weight to the bottom of the column in order to anchor it more securely. You may do this by filling the lower portion of the column with sand or gravel. Follow the steps below.



- Install the columns as outlined in earlier sections. (If you are stacking columns, install only the bottom one before completing the fill process.)
- Locate the dimples positioned near the top corners of the columns.
- Using a hole saw, cut a 3" hole in the top of the column using the dimple as a center.
- Pour sand or gravel into the column. Do not exceed a depth of 18" on a 36" column.
- Install upper columns if desired.

Reinforcing Attachment Points

In some installations you may want to add extra support along the edge of the column for the attachment of rail brackets. **The technique outlined below is for attaching lightweight or non-load bearing components. It is not appropriate for attaching heavy fencing or items such as gates.**

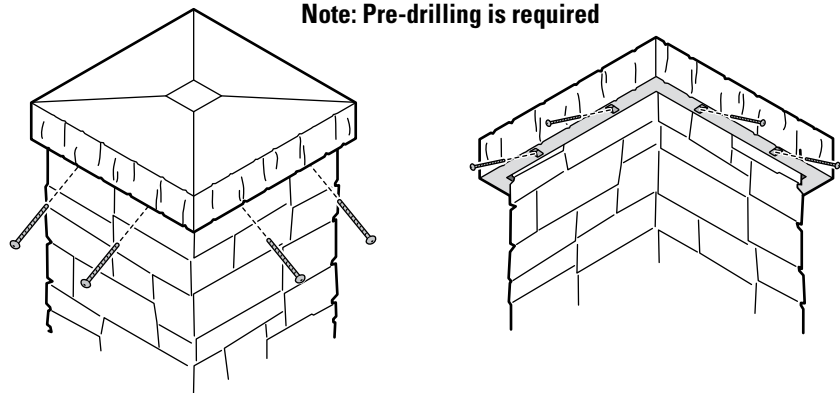


- Cut out the opening in the top and bottom of the column that corresponds to the size post you are using.
- Trim a pressure treated 2" x 4" or 2" x 6" to the interior height of the column.
- Insert the board into the column and place it against the inside wall along the column centerline.
- Secure with two screws through the top and bottom of the column.
- Attach fence hardware by screwing through column and into reinforcing board.

Attaching Caps

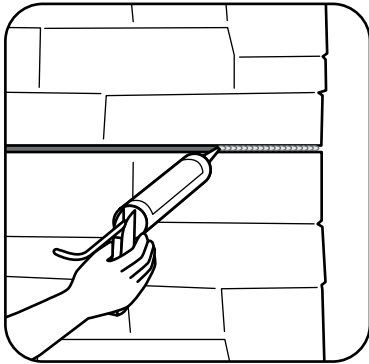
The last step in your BellaStone Column installation is the placement of the column caps.

- Slide a cap over the column making sure it fits properly (the cap should cover the top 2" of the column).
- Locate the recessed notches on the underside of the cap lip.
- **Pre-drill the cap using a 3/16" drill bit.**
- Drive #8 by 1-1/2" screws through the notches and into the column.

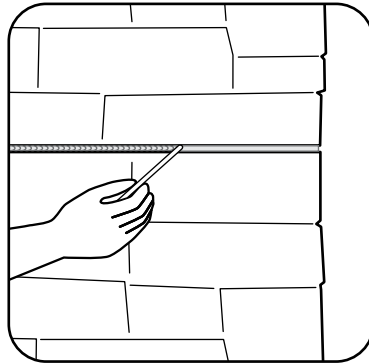


Finishing Seams

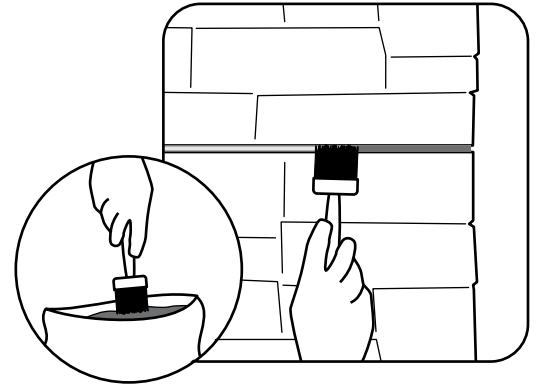
An integral step in giving a BellaStone installation the look of authentic stone is the finishing process of the seams. Though this finishing process is not essential to the performance of BellaStone Columns, it is aesthetically important. If your installation involves stacking columns, you will want to complete the following steps.



- 1 Using the BellaStone Mortar Sealant, run a heavy bead at all panel joints. Be sure to fill the joints beyond the other mortar joints in the panel. Also cover any exposed screw heads.



- 2 Using a tool such as a soda straw, smooth the sealant to create the look of a mortar joint. For the best appearance, knock down any high points. It helps to flatten the straw a bit prior to using it.



- 3 Push the bristle ends of a paint brush into the BellaStone Aggregate. With the aggregate in the brush, dab the ends of the bristles lightly onto the caulking in the seams. The intention is not to push the brush into the caulking but to transfer the aggregate onto the caulking to dull the finish and create the mortar look. "Dip" the brush into the aggregate as necessary to complete the seam finishing process.



For more information and design inspiration,
visit www.ExteriorPortfolio.com/BellaStone

Exterior Portfolio™ by Crane

1441 Universal Road
PO Box 1058
Columbus, OH 43216
800.366.8472

© 2008 BellaStone® by Crane

